

PRODUCT FEATURES

- Seamless Illumination
- Ultra Low Sleek Profile
- Line Voltage
- Even Illumination of Surfaces
- Easy Installation
- Dimmable with Accessories



PRODUCT SPECIFICATIONS

- Voltage: AC 100~240 V
- Operating Temperature: 32~113 °F (0~45 °C)
- Lamp Life: 40,000 hrs / 70%
- Available Color: 2700K, 3000K, 3500K, 4000K,
- Color Rendering: Ra > 80
- Energy Efficiency: 75 Lm/W
- Degree of protection IP20

- Beam Angle: Asymmetric 120°
- Finish: Natural Aluminum (Standard)
- Warranty: 5 year Warranty
- Certifications



SPECIFICATION DIAGRAM

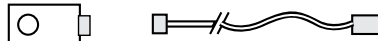
Power Options

Option 1 - Cord & Plug



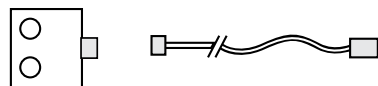
Power Cord with Plug

Option 2 - Hardwire



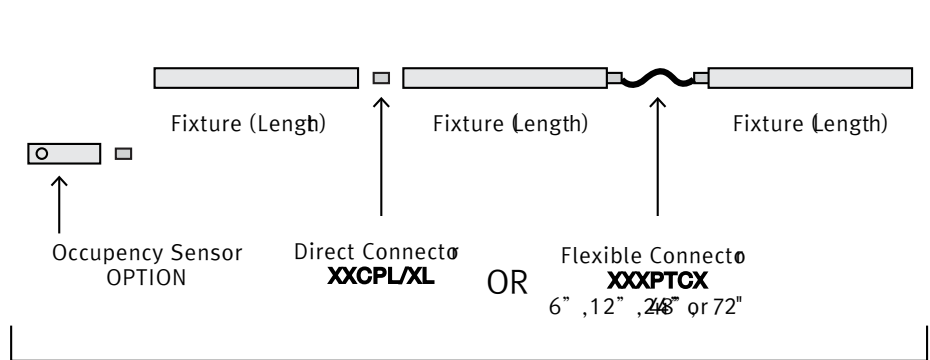
Hardwire Box **MHWB-XX** + Interface Cable

Option 3 - Dimming



Dimming Module **FDB-P10** + Interface Cable

Fixture Connector Options



MAX Power Load on 1 Power Feed (non-dimming)

Fluorescent: **600W**  
LED: **400W**

MAX Number of Fixtures Dimming

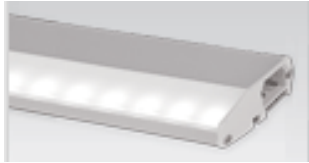
Fluorescent: Need **one** booster every **10** fixtures  
LED: Need **one** booster every **15** fixtures

SPECIFICATION GUIDE

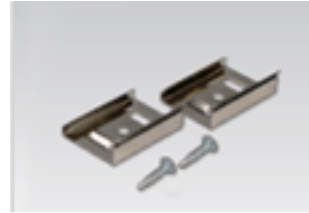
ALL PARTS NEEDED FOR INSTALLATION WILL BE INCLUDED FOR ADDITIONAL COMPONENTS ORDER SEPARATELY ON PAGE 2

MODEL	COLOR	LENS	MOUNTING	CONFIGURATION	RUN LENGTH	POWER/DIM	ACCESSORIES	VOLTAGE
TUN		ST			ft.			
TUN	27K - 2700 K 30K - 3000 K 35K - 3500 K 40K - 4000 K	ST - Milky white	STD - Flat Brackets Included  BK1 - Sliding Brackets	S - Straight V - Varies*	RUN LENGTH IN FEET Fill out for every run section	CP - Cable/Plug HW - Hard Wire ZT 0-10V Interface FP Forward Phase	NON RSW Rocker Switch OCC Occupancy Sensor	120V 230V
*DRAWINGS & RUN LENGTH REQUIRED								

COMPONENTS FOR ADDITIONAL COMPONENTS ENTER QUANTITY BELOW



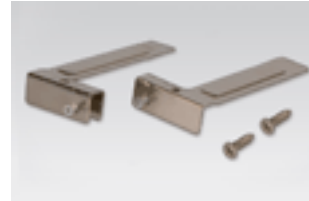
Fixture  
 \_\_\_\_\_ TUN7 [Color] K-120V  
 \_\_\_\_\_ TUN11 [Color] K-120V  
 \_\_\_\_\_ TUN15 [Color] K-120V



Mounting Bracket  
 \_\_\_\_\_ TUN-BRACKET  
 Included with fixture



Jumper Cables  
 \_\_\_\_\_ TUNPTC (6' )  
 \_\_\_\_\_ TUNPTC1 (1' )  
 \_\_\_\_\_ TUNPTC2 (2' )  
 \_\_\_\_\_ TUNPTC4 (4' )  
 \_\_\_\_\_ TUNPTC6 (6' )



Mounting Bracket  
 \_\_\_\_\_ TUN-BRACKET1



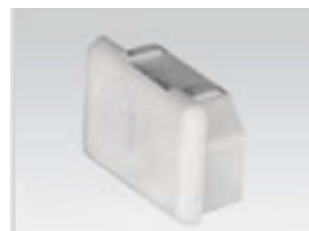
Power Cord (6' )  
 \_\_\_\_\_ TUNPC120/XL



Connector  
 \_\_\_\_\_ TUNCPL



Power Cord (6' )  
 \_\_\_\_\_ TUNPC120SM2/XL



End-Cap  
 \_\_\_\_\_ TUN-END-CAP  
 Included with fixture



Interface Cables  
 \_\_\_\_\_ ESLTUNPTC (6' )  
 \_\_\_\_\_ ESLTUNPTC1 (1' )  
 \_\_\_\_\_ ESLTUNPTC2 (2' )  
 \_\_\_\_\_ ESLTUNPTC4 (4' )  
 \_\_\_\_\_ ESLTUNPTC6 (6' )



Occupancy Sensor  
 \_\_\_\_\_ TUN-OCC



Hard Wire Box  
 \_\_\_\_\_ MHWB-5L



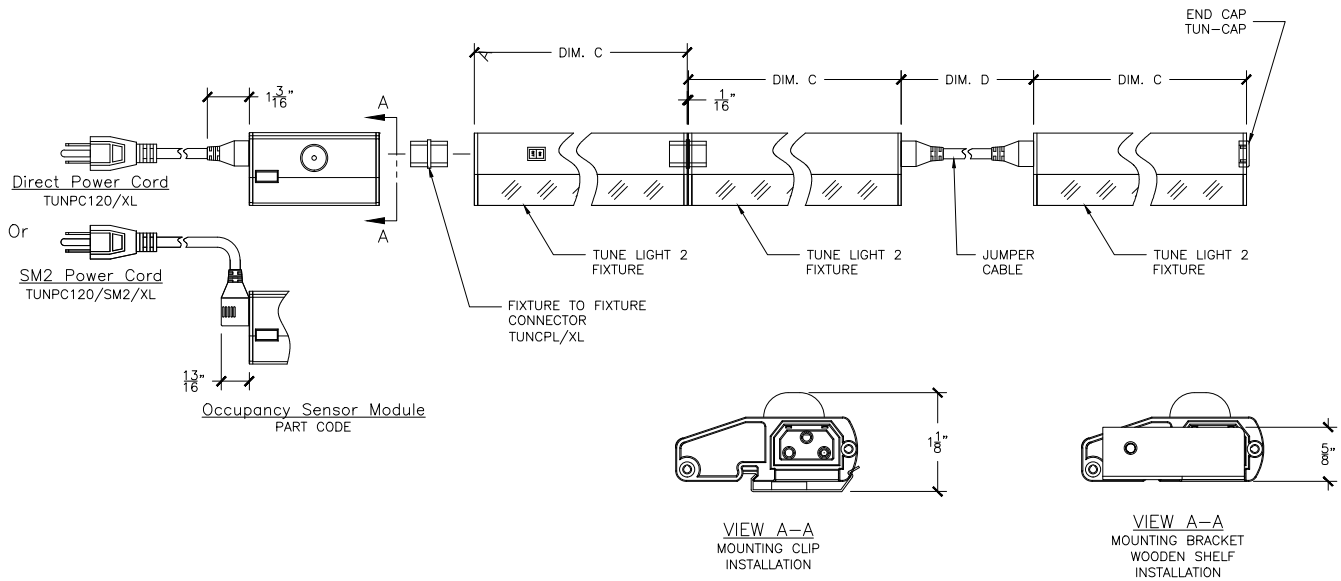
Dimming Interface  
 \_\_\_\_\_ FDB-P10



Dimming Interface  
 \_\_\_\_\_ FDB-P1H

FIXTURE & ACCESSORIES DIMENSIONS

INSTALLATION DIAGRAM SHOWN HERE FOR DIMENSION PURPOSES ONLY REFER TO PAGE 1 FOR SPECIFICATION GUIDE



POWER CORD	
PART NUMBER:	DIM.A
TUNPC120/XL	-
TUNPC120/SM2/XL	-

POWER TO HARDWIRE BOX	
PART NUMBER:	DIM.B
DSL TUNPC/XL	-

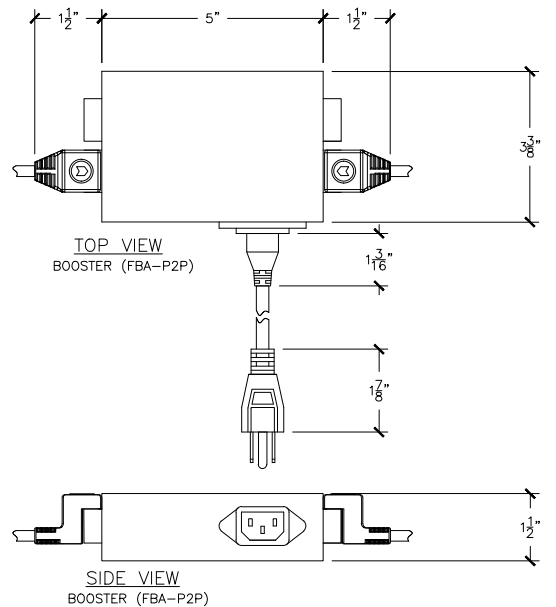
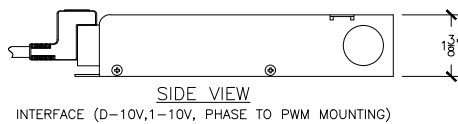
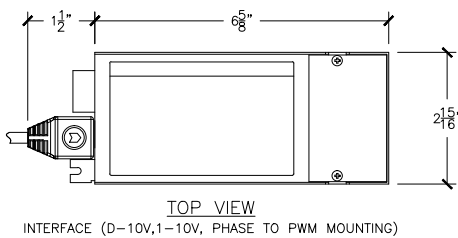
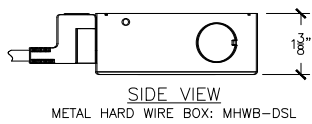
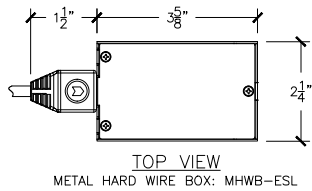
TUNELIGHT 2 FIXTURE			
PART NUMBER:	LAMP POWER (W)	DIM.C	
TUN7-(Color)K-UNV	7	1' - 8 1/16"	
TUN11-(Color)K-UNV	11	2' - 8 1/16"	
TUN15-(Color)K-UNV	15	3' - 9 1/16"	

JUMPER CABLE	
NON-DIMMING	
PART NUMBER:	DIM.D
TUNPTC/XL	6"
TUNPTC1/XL	12"
TUNPTC2/XL	24"
TUNPTC4/XL	48"
TUNPTC6/XL	72"

JUMPER CABLE	
DIMMING	
PART NUMBER:	DIM.D
DTUNPTC/XL	6"
DTUNPTC1/XL	12"
DTUNPTC2/XL	24"
DTUNPTC4/XL	48"
DTUNPTC6/XL	72"

DO NOT SCALE DRAWING				3000 Northwoods Parkway, Suite 115 Norcross, GA 30071	
CONTRACT NO.	-	CODE D. NO.	2Z43F	SIZE	B
APPD		DWG NO.	1006-06-0001	REV	-
DATE	2015/01/29	SCALE	NONE	MODS	N/A
				SHEET	2 OF 3

POWER & DIMMING EQUIPMENT DIMENSIONS



DO NOT SCALE DRAWING				3000 Northwoods Parkway, Suite 115 Norcross, GA 30071	
CONTRACT NO.	-	CODE D. NO.	2Z43F	SIZE	B
APPD		DWG NO.	1006-06-0001	REV	-
DATE	2015/01/29	SCALE	NONE	MODS	N/A
				SHEET	3 OF 3